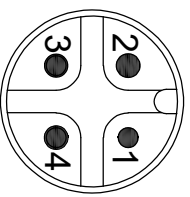
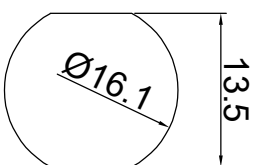
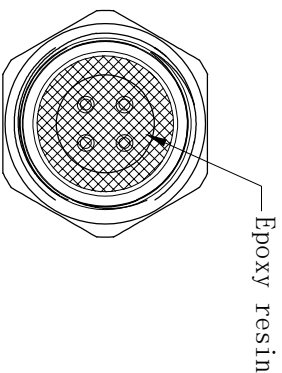
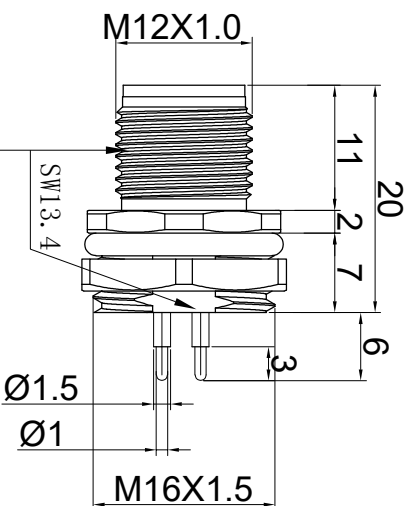
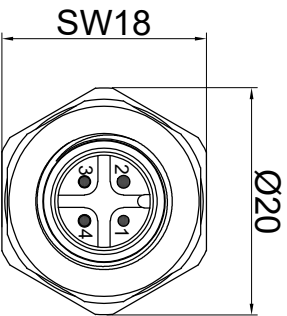


ROHS

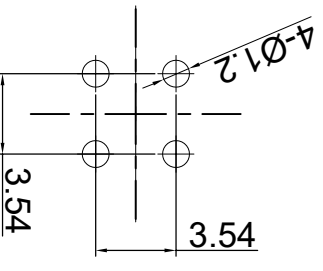


PIN



Mit Durchgangsbohrung with bore hole

⑤ ④ ③ ② ①



percentage 2:1
PCB hole size

A - coded										
B - coded										
D - coded	/									

ITEM	NAME	SPECIFICATION	UNIF	PCS	QTY	PIN	Rated Voltage	Rated Impulse Voltage	Rated Current	Contact Resistance	Wire Gauge (mm) /AWG	Degree of Protection
⑤	O-Ring	Silicone Ø19X1.9 Black	PCS	1	1		250V	2500V	4A	≤3mΩ	0.25mm ² /24	IP67/IP68
④	Contact Insert	PA66+30%GF Black	PCS	1	1		125V	1500V	4A	≤3mΩ	0.25mm ² /24	IP67/IP68
③	Male Pin	ØD:1.0 PCB Au (Gold/gold)	PCS	4	4		60V	800V	2A	≤3mΩ	0.25mm ² /24	IP67/IP68
②	Screw Thread	M16X1.5	PCS	1	1		30V	500V	1.5A	≤3mΩ	0.14mm ² /26	IP67/IP68
①	Shell	M12 Rear Fastened Male Socket (M16X1.5)	PCS	1	1		30V	500V	1.5A	≤3mΩ	0.14mm ² /26	IP67/IP68

Undeclared tolerance		±0.1
0.5 - 3	±0.1	
>3 - 6	±0.1	
>6 - 30	±0.2	
>30-120	±0.3	
>120-400	±0.5	
>400-1000	±0.8	

 深圳亿联连接技术有限公司 Shenzhen Yilian Connection Technology Co., Ltd	Design	YOYO
	audit	ZZH
	drawing	HSY
	countersign	WGZ
	amend	---
approve	TFY	

M12-4 Pin Rear Fastened Male Socket-PCB (M16X1.5)		Material: PVC	Q' TY: pcs
number: MB12A4PFS-M16X1.5-PCB		Quality	percentage
		<input checked="" type="checkbox"/> Qua <input type="checkbox"/> Re	1:1
First sheet		OP1	
date:			