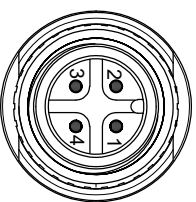


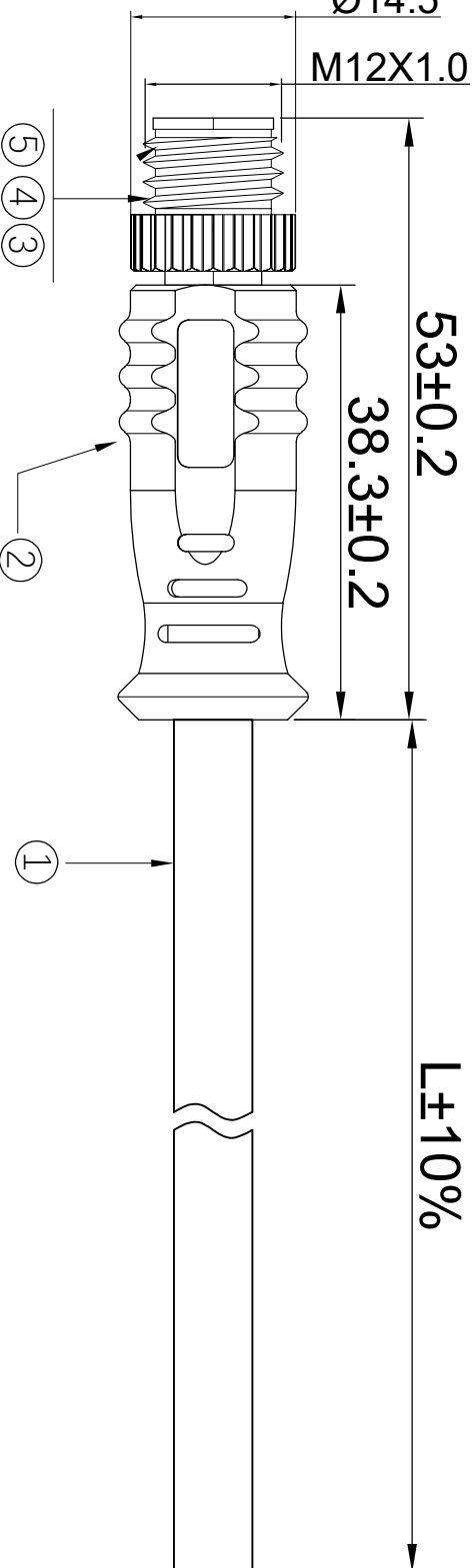
ROHS

A - coded								
B - coded								
D - coded								



P1

Ø14.5
M12X1.0



cable color

P1 color

- PIN1 — Brown
- PIN2 — White
- PIN3 — Blue
- PIN4 — Black

ITEM	NAME	SPECIFICATION	UNIF	Q'TY	PIN	Rated voltage	Rated impulse voltage	Rated current	Contact resistance	Wire gauge (mm ² / AWG)	Degree of protection
⑤	Insulator	PA66+30%GF black	PCS	1		250V	2500V	4A	≤3mΩ	0.25mm ² / 24	IP67/IP68
④	Terminal	ØD:1.0 copper alloy	PCS	4		250V	2500V	4A	≤3mΩ	0.25mm ² / 24	IP67/IP68
③	Screwnut	M12X1.0 Plastic male connection nut	PCS	1		60V	800V	2A	≤3mΩ	0.25mm ² / 24	IP67/IP68
②	Overmold	Black 45P PVC material	G	12		30V	500V	1.5A	≤3mΩ	0.14mm ² / 26	IP67/IP68
①	Cable	UL2464 4C*22AWG Wire BROWN/WHITE/BLUE/BLACK JACKET:BLACK PVC L=MM	MM	L±10%		30V	500V	1.5A	≤3mΩ	0.14mm ² / 26	IP67/IP68

Undeclared tolerance		SPECIFICATION		MaterialPVC		Q'TY: pcs		date:	
0.5 - 3	±0.1	Design	YOYO	M12-4 Pin A code Plastic Male Straight Connector	MaterialPVC	Q'TY: pcs	First sheet	OF1	percentage
>3 - 6	±0.1	audit	ZZH						
>6 - 30	±0.2	drawing	HSY						
>30-120	±0.3	counter sign	WGZ						
>120-400	±0.5	amend	...						
>400-1000	±0.8	approve	TFY						

Number M12A4PMZT L M22AWG

Quality Qua Re 1:1