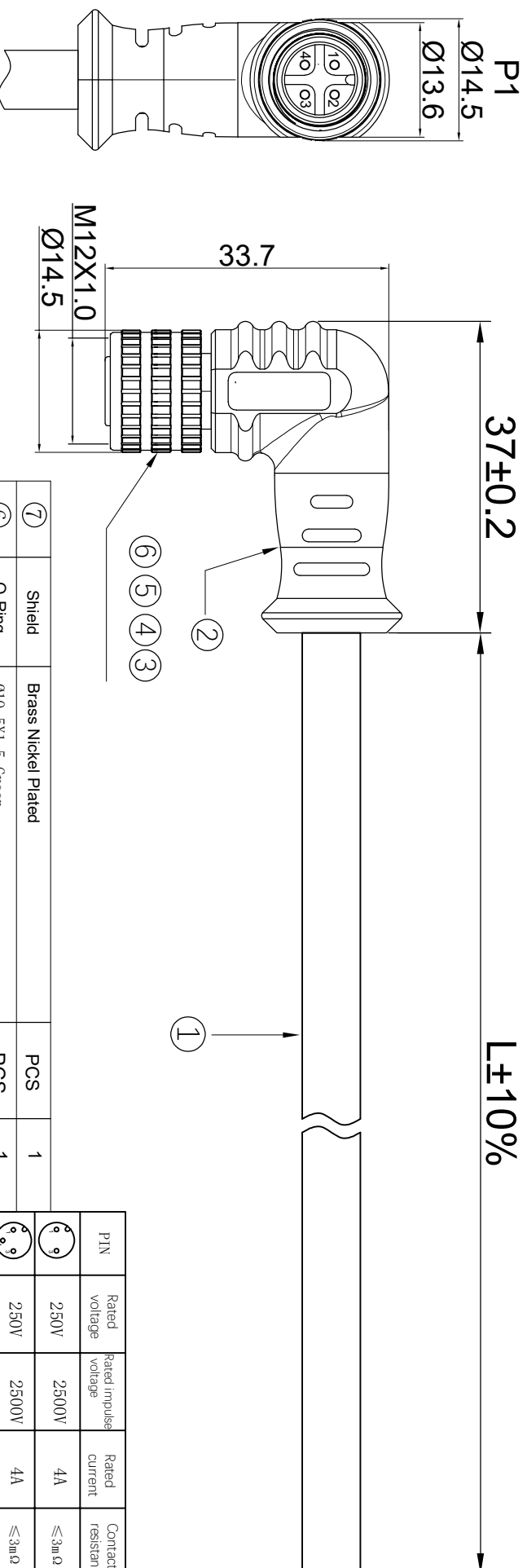


# ROHS

A - coded								
B - coded								
D - coded								



## cable color

P1 color

- PIN1 — Brown
- PIN2 — White
- PIN3 — Blue
- PIN4 — Black
- Shell — Shield

ITEM	NAME	SPECIFICATION	UNIF	Q'TY	PIN	Rated voltage	Rated impulse voltage	Rated current	Contact resistance	Wire gauge (mm <sup>2</sup> / AWG)	Degree of protection
⑦	Shield	Brass Nickel Plated	PCS	1		250V	2500V	4A	≤3mΩ	0.25mm <sup>2</sup> / 24	IP67 / IP68
⑥	O-Ring	Ø10.5X1.5 Green	PCS	1		250V	2500V	4A	≤3mΩ	0.25mm <sup>2</sup> / 24	IP67 / IP68
⑤	Insulator	PA66+30%GF black	PCS	1		250V	2500V	4A	≤3mΩ	0.25mm <sup>2</sup> / 24	IP67 / IP68
④	Terminal	ØD:1.0 copper alloy	PCS	4		125V	1500V	4A	≤3mΩ	0.25mm <sup>2</sup> / 24	IP67 / IP68
③	Screwnut	M12X1.0 Female Nut Brass Nickel Plated	PCS	1		60V	800V	2A	≤3mΩ	0.25mm <sup>2</sup> / 24	IP67 / IP68
②	Overmold	Black 45P PVC material	G	12		30V	500V	1.5A	≤3mΩ	0.14mm <sup>2</sup> / 26	IP67 / IP68
①	Cable	UL2464 4C*22AWG Wire BROWN/WHITE/BLUE/BLACK JACKET:BLACK PVC L= MM	MM	L±10%		30V	500V	1.5A	≤3mΩ	0.14mm <sup>2</sup> / 26	IP67 / IP68
Undeclared tolerance											
0.5 - 3		±0.1									
>3 - 6		±0.1	Design	YOYO							
>6 - 30		±0.2	audit	ZZH							
>30-120		±0.3	drawing	HSY							
>120-400		±0.5	counter sign	WGZ							
>400-1000		±0.8	amend	...							
			approve	TFY							
Material PVC											
Q'TY: pcs											
M12-4 Pin A code Shield Female right angle Connector											
Number: M12A4PFWT L M22AWG-S											
Quality											
Qua <input checked="" type="checkbox"/> Re <input type="checkbox"/>											
First sheet					OF1						
date:											